



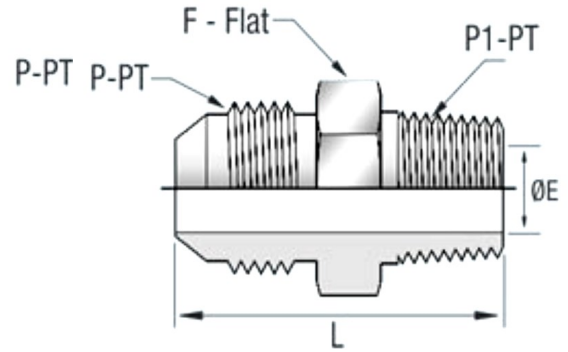
**Flare Connectors are available in a wide range of materials, sizes, connections and configurations.**



**FTS Parker's flare fittings provide reliable leak-free connections for high-pressure fluid and gas applications. Flare fittings are offered in 37° flare, 45° flare, and 90° flare (O-ring Face Seal) series that are designed to maximize the leak-free performance and service life of your hydraulic connections.**



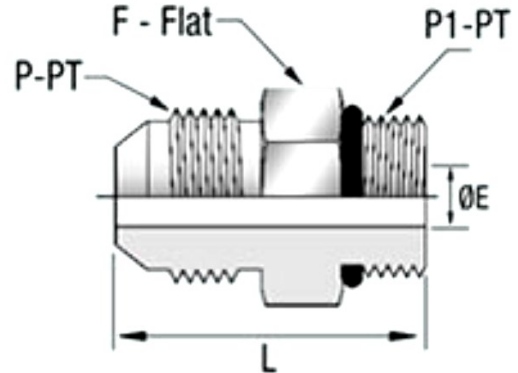
37° JIC X NPT(SAE 070102)



Tube OD (P-PT)		(P1-PT)	Dimensions			SS 316 PART No.
inch	MM	NPT	L	E	F	
1/8	3	1/8	28.2	1.6	11.1	FMC-37D-NPT-SAE-S16-1
3/16	4	1/8	29	3.2	11.1	FMC-37D-NPT-SAE-S16-2
1/4	6	1/8	31	4.4	12.7	FMC-37D-NPT-SAE-S16-3
1/4	6	1/4	36	4.4	14.3	FMC-37D-NPT-SAE-S16-4
1/4	6	1/2	42.7	4.4	22.2	FMC-37D-NPT-SAE-S16-5
5/16	8	1/8	31	4.8	14.3	FMC-37D-NPT-SAE-S16-6
5/16	8	1/4	36.1	6	14.3	FMC-37D-NPT-SAE-S16-7
3/8	10	1/8	31.8	4.8	15.9	FMC-37D-NPT-SAE-S16-8
3/8	10	1/4	36.3	7.1	15.9	FMC-37D-NPT-SAE-S16-9
3/8	10	3/8	36.3	7.5	19.1	FMC-37D-NPT-SAE-S16-10
3/8	10	1/2	42.5	7.5	22.2	FMC-37D-NPT-SAE-S16-11
1/2	12	1/4	38.9	7.1	20.6	FMC-37D-NPT-SAE-S16-12
1/2	12	3/8	38.9	9.9	20.6	FMC-37D-NPT-SAE-S16-13
1/2	12	1/2	45.5	9.9	22.2	FMC-37D-NPT-SAE-S16-14
1/2	12	3/4	47	9.9	28.6	FMC-37D-NPT-SAE-S16-15
5/8	16	3/8	43.1	9.9	23.8	FMC-37D-NPT-SAE-S16-16
5/8	16	1/2	48	12.3	23.8	FMC-37D-NPT-SAE-S16-17
5/8	16	3/4	49.5	12.3	28.6	FMC-37D-NPT-SAE-S16-18
3/4	18	3/4	52.3	15.5	28.6	FMC-37D-NPT-SAE-S16-19
3/4	18	1	57.1	15.5	34.9	FMC-37D-NPT-SAE-S16-20
7/8	22	3/4	53.1	18.3	31.8	FMC-37D-NPT-SAE-S16-21
1	25	3/4	53.5	18.3	34.9	FMC-37D-NPT-SAE-S16-22
1	25	1	58.4	21.5	34.9	FMC-37D-NPT-SAE-S16-23
1 1/4	32	1	61.5	23.8	42.9	FMC-37D-NPT-SAE-S16-24
1 1/4	32	1 1/4	62.2	27.5	42.9	FMC-37D-NPT-SAE-S16-25
1 1/2	38	1 1/4	68.1	31.7	50.8	FMC-37D-NPT-SAE-S16-26
1 1/2	38	1 1/2	68.1	33	50.8	FMC-37D-NPT-SAE-S16-27
2	50	2	79	45	66.7	FMC-37D-NPT-SAE-S16-28



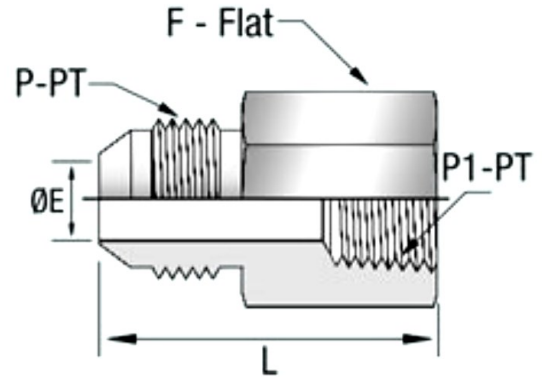
37° JIC X SAE / MS STRAIGHT(SAE070120)



Tube OD (P-PT)		(P1-PT) SAE / MS	Dimensions			SS 316 Part No.
inch	mm		L	E	F	
1/8	3	5/16-24	26.9	1.6	11.1	FMC-37D-SAE-S16-1
3/16	4	3/8-24	27.9	3.2	12.7	FMC-37D-SAE-S16-2
1/4	6	7/16-20	31.2	4.4	14.3	FMC-37D-SAE-S16-3
1/4	6	1/2-20	31.2	4.4	15.9	FMC-37D-SAE-S16-4
1/4	6	9/16-18	33	4.4	17.5	FMC-37D-SAE-S16-5
1/4	6	3/4-16	34.8	4.4	22.2	FMC-37D-SAE-S16-6
5/16	8	1/2-20	31.2	6	15.9	FMC-37D-SAE-S16-7
3/8	10	9/16-18	33	7.5	17.5	FMC-37D-SAE-S16-8
3/8	10	3/4-16	35.1	7.5	22.2	FMC-37D-SAE-S16-9
3/8	10	1/2-20	38.1	7.5	25.4	FMC-37D-SAE-S16-10
1/2	12	9/16-18	36.6	7.5	20.6	FMC-37D-SAE-S16-11
1/2	12	3/4-16	37.6	9.9	22.2	FMC-37D-SAE-S16-12
1/2	12	7/8-14	40.6	9.9	25.4	FMC-37D-SAE-S16-13
1/2	12	1 1/16-12	44.7	9.9	31.8	FMC-37D-SAE-S16-14
5/8	16	3/4-16	40.6	10.7	23.8	FMC-37D-SAE-S16-15
5/8	16	7/8-14	43.2	12.3	25.4	FMC-37D-SAE-S16-16
5/8	16	1 1/16-12	47.2	12.3	31.8	FMC-37D-SAE-S16-17
3/4	18	3/4-16	45.2	10.7	28.6	FMC-37D-SAE-S16-18
3/4	18	7/8-14	46.4	12.7	28.6	FMC-37D-SAE-S16-19
3/4	18	1 1/16-12	50	15.5	31.8	FMC-37D-SAE-S16-20
3/4	18	1 5/16-12	50.8	15.5	38.1	FMC-37D-SAE-S16-21
7/8	22	1 3/16-12	50.5	18.3	34.9	FMC-37D-SAE-S16-22
7/8	22	1 5/16-12	51.3	18.3	38.1	FMC-37D-SAE-S16-23
1	25	1 1/16-12	51.1	16.7	34.9	FMC-37D-SAE-S16-24
1	25	1 3/16-12	51.8	18.3	34.9	FMC-37D-SAE-S16-25
1	25	1 5/16-12	51.8	21.5	38.1	FMC-37D-SAE-S16-26



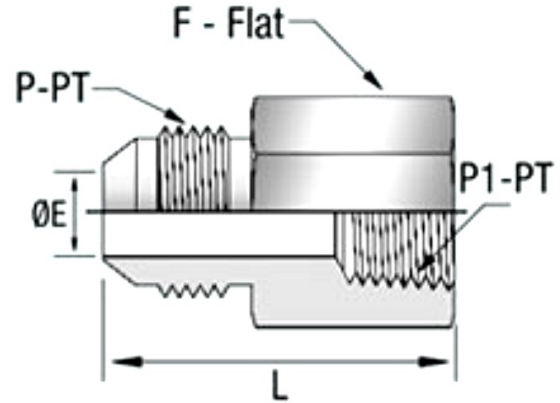
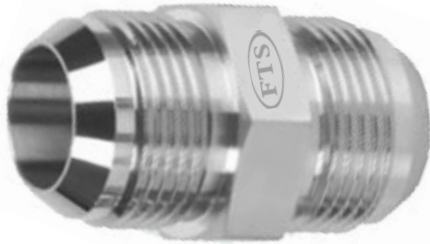
37° JIC (MALE) X NPT (FEMALE) (SAE 070103)



Tube OD (P-PT)		(P1-PT)	Dimensions			SS 316 Part No.
inch	mm	NPT	L	E	F	
1/8	3	1/8	28.4	1.6	14.3	<b>FFC-37D-M-NPTF-S16-1</b>
3/16	4	1/8	28.7	3.2	14.3	<b>FFC-37D-M-NPTF-S16-2</b>
1/4	6	1/8	30.2	4.4	14.3	<b>FFC-37D-M-NPTF-S16-3</b>
1/4	6	1/4	35.3	4.4	19.1	<b>FFC-37D-M-NPTF-S16-4</b>
5/16	8	1/8	29.7	6	14.3	<b>FFC-37D-M-NPTF-S16-5</b>
5/16	8	1/4	35.3	6	19.1	<b>FFC-37D-M-NPTF-S16-6</b>
3/8	10	1/4	35.6	7.5	19.1	<b>FFC-37D-M-NPTF-S16-7</b>
3/8	10	3/8	37.1	7.5	22.2	<b>FFC-37D-M-NPTF-S16-8</b>
1/2	12	3/8	39.6	9.9	22.2	<b>FFC-37D-M-NPTF-S16-9</b>
1/2	12	1/2	45.6	9.9	28.6	<b>FFC-37D-M-NPTF-S16-10</b>
5/8	16	1/2	48	12.3	28.6	<b>FFC-37D-M-NPTF-S16-11</b>
3/4	18	1/2	52.1	15.5	28.6	<b>FFC-37D-M-NPTF-S16-12</b>
3/4	18	3/4	52.3	15.5	34.9	<b>FFC-37D-M-NPTF-S16-13</b>
7/8	22	3/4	52.3	18.3	34.9	<b>FFC-37D-M-NPTF-S16-14</b>
1	25	1	59.7	21.5	41.3	<b>FFC-37D-M-NPTF-S16-15</b>
1 1/4	32	1 1/4	63.2	27.5	50.8	<b>FFC-37D-M-NPTF-S16-16</b>
2	38	1 1/2	66.5	33	60.3	<b>FFC-37D-M-NPTF-S16-17</b>
2	50	2	75.4	45	73	<b>FFC-37D-M-NPTF-S16-18</b>



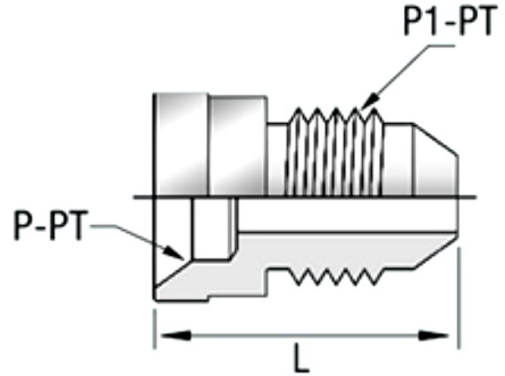
37° JIC(SAE 070101)



Tube OD (P-PT)		Dimensions			SS 316 PART No.
inch	mm	L	E	F	
1/8	3	29.7	1.6	11.1	<b>FU-37D-S16-1</b>
3/16	4	31.2	3.2	11.1	<b>FU-37D-S16-2</b>
1/4	6	34.8	4.4	12.7	<b>FU-37D-S16-3</b>
5/16	8	34.8	6	14.3	<b>FU-37D-S16-4</b>
3/8	10	35.8	7.5	15.9	<b>FU-37D-S16-5</b>
1/2	12	41.1	9.9	20.6	<b>FU-37D-S16-6</b>
5/8	16	47.8	12.3	23.8	<b>FU-37D-S16-7</b>
3/4	18	54.9	15.5	28.6	<b>FU-37D-S16-8</b>
7/8	22	56.1	18	31.8	<b>FU-37D-S16-9</b>
1	25	57.2	21.5	34.9	<b>FU-37D-S16-10</b>
1 1/4	32	61.7	27.5	42.9	<b>FU-37D-S16-11</b>
1 1/2	38	69.8	33	50.8	<b>FU-37D-S16-12</b>
2	50	86.4	45	66.7	<b>FU-37D-S16-13</b>



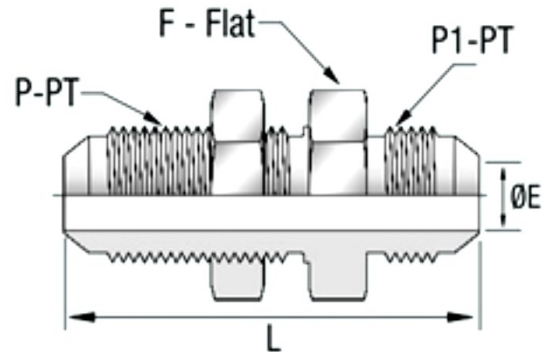
37° JIC(SAE 070123)



Tube OD (P-PT)		Tube OD (P-PT)		Dimensions	SS 316 PART No.
inch	mm	inch	mm		
3/8	10	1/4	6	24.6	<b>FRA-37D-S16-1</b>
1/2	12	1/4	6	25.4	<b>FRA-37D-S16-2</b>
1/2	12	3/8	10	25.4	<b>FRA-37D-S16-3</b>
5/8	16	1/4	6	26.2	<b>FRA-37D-S16-4</b>
5/8	16	3/8	10	26.2	<b>FRA-37D-S16-5</b>
3/4	18	1/4	6	27.7	<b>FRA-37D-S16-6</b>
3/4	18	3/8	10	27.7	<b>FRA-37D-S16-7</b>
3/4	18	1/2	12	30.2	<b>FRA-37D-S16-8</b>
7/8	22	3/8	10	28.7	<b>FRA-37D-S16-9</b>
7/8	22	5/8	16	33.7	<b>FRA-37D-S16-10</b>
1	25	1/4	6	31	<b>FRA-37D-S16-11</b>
1	25	3/8	10	31	<b>FRA-37D-S16-12</b>
1	25	1/2	12	32.3	<b>FRA-37D-S16-13</b>
1	25	5/8	16	35.1	<b>FRA-37D-S16-14</b>
1	25	3/4	18	37.3	<b>FRA-37D-S16-15</b>
1 1/4	32	3/4	18	38.8	<b>FRA-37D-S16-16</b>
1 1/4	32	1	25	40.3	<b>FRA-37D-S16-17</b>
1 1/2	38	1/2	12	39.6	<b>FRA-37D-S16-18</b>
1 1/2	38	3/4	18	41.4	<b>FRA-37D-S16-19</b>
1 1/2	38	1	25	41.4	<b>FRA-37D-S16-20</b>
2	50	1 1/2	38	48.5	<b>FRA-37D-S16-21</b>



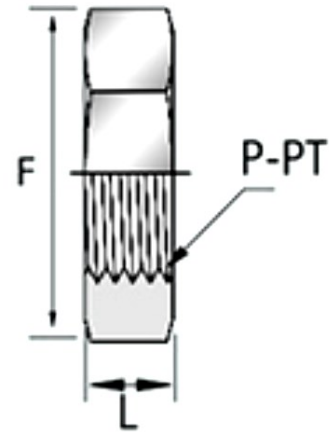
37° JIC(SAE 070601)



Tube OD (P-PT)		Dimensions			SS 316 PART No.
inch	mm	L	E	F	
3/16	4	48.3	3.2	15.9	<b>FBU-37D-S16-1</b>
1/4	6	52.6	4.4	17.5	<b>FBU-37D-S16-2</b>
5/16	8	52.6	6	19.1	<b>FBU-37D-S16-3</b>
3/8	10	55.4	7.5	20.6	<b>FBU-37D-S16-4</b>
1/2	12	62	9.9	25.4	<b>FBU-37D-S16-5</b>
5/8	16	69.6	12.3	28.6	<b>FBU-37D-S16-6</b>
3/4	18	78.5	15.5	34.9	<b>FBU-37D-S16-7</b>
7/8	22	79.2	18.3	38.1	<b>FBU-37D-S16-8</b>
1	25	79.8	21.5	41.3	<b>FBU-37D-S16-9</b>
1.25	32	84.1	27.5	47.6	<b>FBU-37D-S16-10</b>
1.5	38	89.4	33	54	<b>FBU-37D-S16-11</b>
2	50	106.7	45	69.9	<b>FBU-37D-S16-12</b>



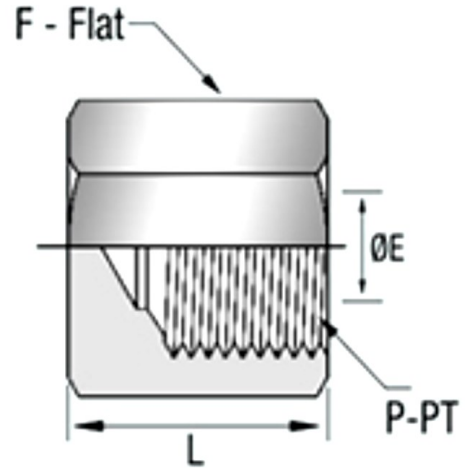
37° JIC(SAE 070118)



Tube OD (P-PT)		Dimensions		SS 316 PART No
inch	mm	L	E	
3/16	4	5.6	15.9	<b>FBLN-37D-S16-1</b>
1/4	6	7.1	17.5	<b>FBLN-37D-S16-2</b>
5/16	8	7.1	19.1	<b>FBLN-37D-S16-3</b>
3/8	10	6.9	20.6	<b>FBLN-37D-S16-4</b>
1/2	12	7.9	25.4	<b>FBLN-37D-S16-5</b>
5/8	16	9.1	28.6	<b>FBLN-37D-S16-6</b>
3/4	18	10.4	34.9	<b>FBLN-37D-S16-7</b>
7/8	22	10.4	38.1	<b>FBLN-37D-S16-8</b>
1	25	10.4	41.3	<b>FBLN-37D-S16-9</b>
1 1/4	32	10.4	47.6	<b>FBLN-37D-S16-10</b>
1 1/2	38	10.4	54	<b>FBLN-37D-S16-11</b>
2	50	10.4	69.9	<b>FBLN-37D-S16-12</b>



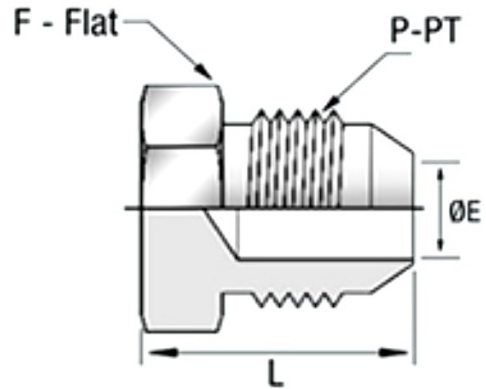
37° JIC(SAE 070109)



Tube OD (P-PT)		Dimensions			SS 316 PART No
inch	mm	L	E	F	
1/8	3	12.7	1.6	9.5	<b>FTC-37D-S16-1</b>
3/16	4	14.3	3.2	11.1	<b>FTC-37D-S16-2</b>
1/4	6	15.1	4.4	14.3	<b>FTC-37D-S16-3</b>
5/16	8	15.5	6	15.9	<b>FTC-37D-S16-4</b>
3/8	10	15.9	7.5	17.5	<b>FTC-37D-S16-5</b>
1/2	12	19.1	9.9	22.2	<b>FTC-37D-S16-6</b>
5/8	16	21.4	12.3	25.4	<b>FTC-37D-S16-7</b>
3/4	18	23	15.5	31.8	<b>FTC-37D-S16-8</b>
7/8	22	24.6	18.3	34.9	<b>FTC-37D-S16-9</b>
1	25	25.8	21.5	38.1	<b>FTC-37D-S16-10</b>
1 1/4	32	27	27.5	50.8	<b>FTC-37D-S16-11</b>
1 1/2	38	30.2	33	57.2	<b>FTC-37D-S16-12</b>
2	50	36.5	45	73	<b>FTC-37D-S16-13</b>



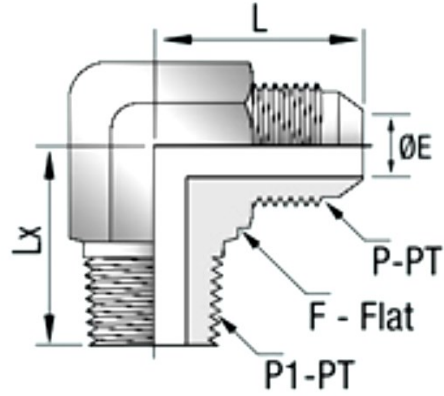
37° JIC(SAE 070112)



Tube OD (P-PT)		Dimensions			SS 316 PART No
inch	mm	L	E	F	
1/8	3	17.8	1.6	11.1	FTP-37D-S16-1
3/16	4	18.5	3.2	11.1	FTP-37D-S16-2
1/4	6	20.3	4.4	12.7	FTP-37D-S16-3
5/16	8	20.3	6	14.3	FTP-37D-S16-4
3/8	10	21.3	7.5	15.9	FTP-37D-S16-5
1/2	12	23.9	9.9	20.6	FTP-37D-S16-6
5/8	16	27.9	12.3	23.8	FTP-37D-S16-7
3/4	18	32.5	15.5	28.6	FTP-37D-S16-8
7/8	22	33.3	18.3	31.8	FTP-37D-S16-9
1	25	33.8	21.5	34.9	FTP-37D-S16-10
1.25	32	36.8	27.5	42.9	FTP-37D-S16-11
1.5	38	41.9	33	50.8	FTP-37D-S16-12
2	50	52.1	45	66.7	FTP-37D-S16-13



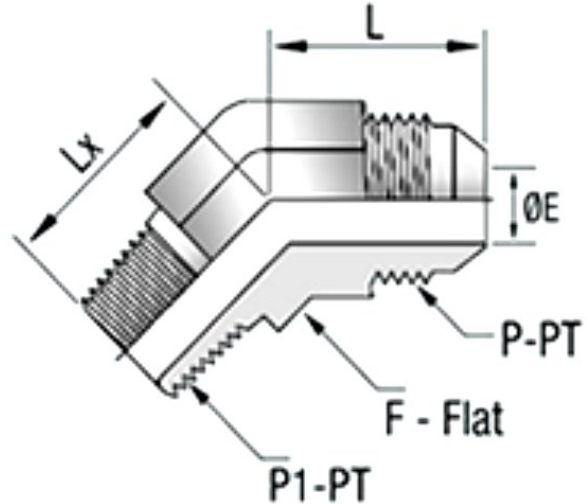
37° JIC (MALE) X NPT (MALE)(SAE 070202)



Tube OD (P-PT)		(P1-PT)	Dimensions				SS 316 PART No
inch	mm	NPT	L	E	F	Lx	
1/8	3	1/8	19.6	1.6	11.1	18.3	FME-37DM-NPTM-S16-1
3/16	4	1/8	21.1	3.2	11.1	18.3	FME-37DM-NPTM-S16-2
1/4	6	1/8	22.6	4.4	12.7	19.8	FME-37DM-NPTM-S16-3
1/4	6	1/4	26.9	4.4	14.3	27.7	FME-37DM-NPTM-S16-4
5/16	8	1/8	24.1	4.8	14.3	19.8	FME-37DM-NPTM-S16-5
5/16	8	1/4	26.9	6	14.3	27.7	FME-37DM-NPTM-S16-6
3/8	10	1/8	26.9	4.8	14.3	22.8	FME-37DM-NPTM-S16-7
3/8	10	1/4	26.9	7.1	14.3	27.7	FME-37DM-NPTM-S16-8
3/8	10	3/8	29	7.5	17.5	31	FME-37DM-NPTM-S16-9
3/8	10	1/2	31.2	7.5	20.6	37.3	FME-37DM-NPTM-S16-10
1/2	12	1/4	31.8	7.1	20.6	31	FME-37DM-NPTM-S16-11
1/2	12	3/8	31.8	9.9	20.6	31	FME-37DM-NPTM-S16-12
1/2	12	1/2	33.7	9.9	20.6	37.3	FME-37DM-NPTM-S16-13
1/2	12	3/4	36	9	25.4	40.4	FME-37DM-NPTM-S16-14
5/8	16	3/8	36.8	9.9	20.6	33	FME-37DM-NPTM-S16-15
5/8	16	1/2	36.8	12.3	20.6	37.3	FME-37DM-NPTM-S16-16
5/8	16	3/4	38.9	12.3	25.4	40.4	FME-37DM-NPTM-S16-17
3/4	18	3/4	42.2	15.5	27	40.4	FME-37DM-NPTM-S16-18
3/4	18	1	42.2	15.5	31.8	50.4	FME-37DM-NPTM-S16-19
7/8	22	3/4	45.7	18.3	31.8	42.9	FME-37DM-NPTM-S16-20
1	25	3/4	46	18.3	34.9	45.2	FME-37DM-NPTM-S16-21
1	25	1	46	21.5	34.9	50	FME-37DM-NPTM-S16-22
1 1/4	32	1	52.3	23.8	42.9	59.6	FME-37DM-NPTM-S16-23
1 1/4	32	1 1/4	52.3	27.5	42.9	60.5	FME-37DM-NPTM-S16-24
1 1/2	38	1 1/2	59.2	33	50.8	67.1	FME-37DM-NPTM-S16-25
2	50	2	77.7	45	63.5	76.2	FME-37DM-NPTM-S16-26



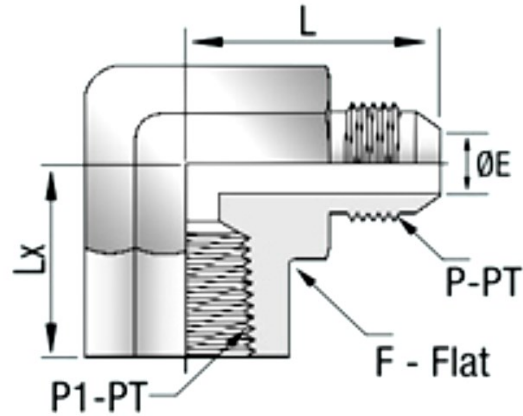
37° JIC (MALE) X NPT (MALE)(SAE 070302)



Tube OD (P-PT)		(P1-PT)	Dimensions				SS 316 PART No
inch	mm	NPT	L	E	F	Lx	
1/8	3	1/8	17.5	1.6	11.1	13.2	F45DME-37D-NPTM-1
3/16	4	1/8	17.5	3.2	11.1	13.2	F45DME-37D-NPTM-2
1/4	6	1/8	18.3	4.4	12.7	16.3	F45DME-37D-NPTM-3
5/16	8	1/8	19.6	4.8	14.3	16.3	F45DME-37D-NPTM-4
3/8	10	1/4	21.1	7.1	14.3	21.8	F45DME-37D-NPTM-5
1/2	12	3/8	24.9	9.9	17.5	24.1	F45DME-37D-NPTM-6
5/8	16	1/2	28.2	12.3	20.6	29.7	F45DME-37D-NPTM-7
3/4	18	3/4	32.5	15.5	27	30.5	F45DME-37D-NPTM-8
7/8	22	3/4	36.8	18.3	31.8	33	F45DME-37D-NPTM-9
1	25	1	37.3	21.5	34.9	37.6	F45DME-37D-NPTM-10
1.25	32	1 1/4	40.4	27.5	42.9	42.4	F45DME-37D-NPTM-11
1.5	38	1 1/2	45.2	33	50.8	45	F45DME-37D-NPTM-12
2	50	2	56.4	45	63.5	53.6	F45DME-37D-NPTM-13



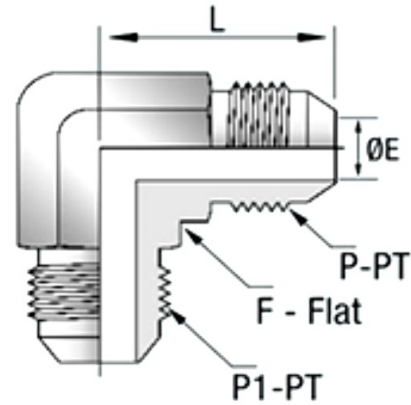
37° JIC (MALE) X NPT (FEMALE)(SAE 070203)



Tube OD (P-PT)		(P1-PT)	Dimensions				SS 316 PART No
inch	mm	NPT	L	E	F	Lx	
1/8	3	1/8	25.4	1.6	14.3	16.8	<b>FFE-37D-NPTF-S16-1</b>
3/16	4	1/8	26.2	3.2	14.3	16.8	<b>FFE-37D-NPTF-S16-2</b>
1/4	6	1/8	27.4	4.4	14.3	16.8	<b>FFE-37D-NPTF-S16-3</b>
1/4	6	1/4	30.9	4.4	20.6	22.4	<b>FFE-37D-NPTF-S16-4</b>
5/16	8	1/8	27.4	6	14.3	16.8	<b>FFE-37D-NPTF-S16-5</b>
5/16	8	1/4	30.9	6	20.6	22.4	<b>FFE-37D-NPTF-S16-6</b>
3/8	10	1/8	26.9	7.5	15.9	16.8	<b>FFE-37D-NPTF-S16-7</b>
3/8	10	1/4	31.2	7.5	20.6	22.4	<b>FFE-37D-NPTF-S16-8</b>
3/8	10	3/8	33.2	7.5	23.8	25.9	<b>FFE-37D-NPTF-S16-9</b>
1/2	12	1/4	31.6	9.9	20.6	22.4	<b>FFE-37D-NPTF-S16-10</b>
1/2	12	3/8	36.1	9.9	23.8	25.9	<b>FFE-37D-NPTF-S16-11</b>
1/2	12	1/2	36.1	9.9	27	31.2	<b>FFE-37D-NPTF-S16-12</b>
5/8	16	1/2	41.7	12.3	27	31.2	<b>FFE-37D-NPTF-S16-13</b>
3/4	18	1/2	42.1	15.5	31.8	31.2	<b>FFE-37D-NPTF-S16-14</b>
3/4	18	3/4	48	15.5	34.9	34.5	<b>FFE-37D-NPTF-S16-15</b>
7/8	22	3/4	47.2	18.3	34.9	36.1	<b>FFE-37D-NPTF-S16-16</b>
1	25	1	55.1	21.5	42.9	41.1	<b>FFE-37D-NPTF-S16-17</b>
1 1/4	32	1 1/4	59.2	27.5	50.8	43.2	<b>FFE-37D-NPTF-S16-18</b>
1 1/2	38	1 1/2	73.4	33	63.5	52.8	<b>FFE-37D-NPTF-S16-19</b>
2	50	2	83.8	45	63.5	60.7	<b>FFE-37D-NPTF-S16-20</b>



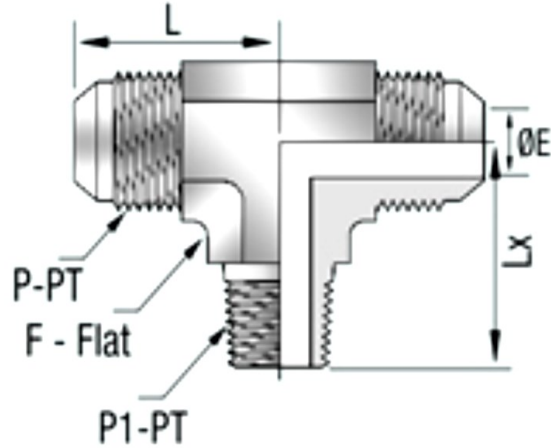
37° JIC(SAE 070201)



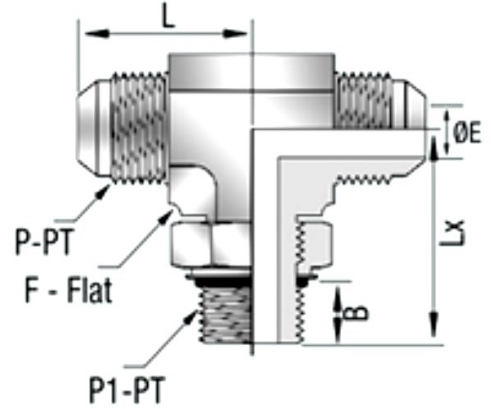
Tube OD (P-PT)		Dimensions			SS 316 PART No
inch	mm	L	E	F	
1/8	3	19.6	1.6	11.1	<b>FUE-37D-S13-1</b>
3/16	4	21.1	3.2	11.1	<b>FUE-37D-S13-2</b>
1/4	6	22.6	4.4	12.7	<b>FUE-37D-S13-3</b>
5/16	8	24.1	6	14.3	<b>FUE-37D-S13-4</b>
3/8	10	26.9	7.5	14.3	<b>FUE-37D-S13-5</b>
1/2	12	31.8	9.9	20.6	<b>FUE-37D-S13-6</b>
5/8	16	36.8	12.3	20.6	<b>FUE-37D-S13-7</b>
3/4	18	42.2	15.5	27	<b>FUE-37D-S13-8</b>
7/8	22	45.7	18.3	31.8	<b>FUE-37D-S13-9</b>
1	25	46	21.5	34.9	<b>FUE-37D-S13-10</b>
1 1/4	32	52.3	27.5	42.9	<b>FUE-37D-S13-11</b>
1 1/2	38	59.2	33	50.8	<b>FUE-37D-S13-12</b>
2	50	77.7	45	63.5	<b>FUE-37D-S13-13</b>



37° JIC X NPT(SAE 070425)



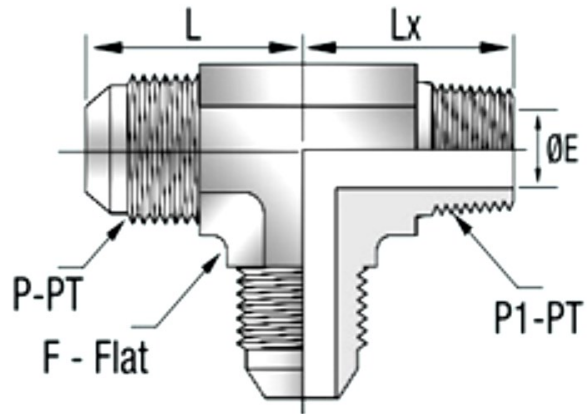
Tube OD (P-PT)		(P1-PT)	Dimensions				SS 316 PART No
inch	mm	NPT	L	E	F	Lx	
1/8	3	1/8	19.6	1.6	11.1	18.3	FMBT-37D-NPT-S16-1
3/16	4	1/8	21.1	3.2	11.1	18.3	FMBT-37D-NPT-S16-2
1/4	6	1/8	22.6	4.4	12.7	19.8	FMBT-37D-NPT-S16-3
1/4	6	1/4	26.9	4.4	14.3	27.7	FMBT-37D-NPT-S16-4
5/16	8	1/8	24.1	4.8	14.3	19.8	FMBT-37D-NPT-S16-5
5/16	8	1/4	26.9	6	14.3	27.7	FMBT-37D-NPT-S16-6
3/8	10	1/8	26.9	4.8	14.3	22.8	FMBT-37D-NPT-S16-7
3/8	10	1/4	26.9	7.1	14.3	27.7	FMBT-37D-NPT-S16-8
3/8	10	3/8	29	7.5	17.5	31	FMBT-37D-NPT-S16-9
3/8	10	1/2	31.2	7.5	20.6	37.3	FMBT-37D-NPT-S16-10
1/2	12	1/4	31.8	7.1	20.6	31	FMBT-37D-NPT-S16-11
1/2	12	3/8	31.8	9.9	20.6	31	FMBT-37D-NPT-S16-12
1/2	12	1/2	33.7	9.9	20.6	37.3	FMBT-37D-NPT-S16-13
1/2	12	3/4	36	9	25.4	40.4	FMBT-37D-NPT-S16-14
5/8	16	3/8	36.8	9.9	20.6	33	FMBT-37D-NPT-S16-15
5/8	16	1/2	36.8	12.3	20.6	37.3	FMBT-37D-NPT-S16-16
5/8	16	3/4	38.9	12.3	25.4	40.4	FMBT-37D-NPT-S16-17
3/4	18	3/4	42.2	15.5	27	40.4	FMBT-37D-NPT-S16-18
3/4	18	1	42.2	15.5	31.8	50.4	FMBT-37D-NPT-S16-19
7/8	22	3/4	45.7	18.3	31.8	42.9	FMBT-37D-NPT-S16-20
1	25	3/4	46	18.3	34.9	45.2	FMBT-37D-NPT-S16-21
1	25	1	46	21.5	34.9	50	FMBT-37D-NPT-S16-22
1 1/4	32	1	52.3	23.8	42.9	59.6	FMBT-37D-NPT-S16-23
1 1/4	32	1 1/4	52.3	27.5	42.9	60.5	FMBT-37D-NPT-S16-24
1.5	38	1 1/2	59.2	33	50.8	67.1	FMBT-37D-NPT-S16-25
2	50	2	77.7	45	63.5	76.2	FMBT-37D-NPT-S16-26



Tube OD (P-PT)		(P1-PT)	Dimensions					SS 316 PART No
inch	mm	SAE/MS	L	E	F	Lx	B	
1/8	3	5/16-24	19.6	1.6	11.1	23.9	8.4	<b>FAMBT-S16-1</b>
3/16	4	3/8-24	21.1	3.2	11.1	23.9	8.4	<b>FAMBT-S16-2</b>
1/4	6	7/16-20	22.6	4.4	12.7	26.2	9.8	<b>FAMBT-S16-3</b>
5/16	8	1/2-20	24.1	6	14.3	28.7	9.8	<b>FAMBT-S16-4</b>
3/8	10	9/16-18	26.9	7.5	15.9	31.8	11	<b>FAMBT-S16-5</b>
1/2	12	3/4-16	31.8	9.9	20.6	36.8	12.5	<b>FAMBT-S16-6</b>
5/8	16	7/8-14	36.8	12.3	23.8	43.2	14.2	<b>FAMBT-S16-7</b>
3/4	18	1 1/16-12	42.2	15.5	31.8	49.3	16.5	<b>FAMBT-S16-8</b>
7/8	22	1 3/16-12	45.7	18.3	31.8	50.8	16.5	<b>FAMBT-S16-9</b>
1	25	1 5/16-12	46	21.5	34.9	52.1	16.5	<b>FAMBT-S16-10</b>
1 1/4	32	1 5/8-12	52.3	27.5	42.9	57.2	16.5	<b>FAMBT-S16-11</b>
1 1/2	38	1 7/8-12	59.2	33	50.8	60.7	16.5	<b>FAMBT-S16-12</b>
2	50	2 1/2-12	77.7	45	63.5	73.4	16.5	<b>FAMBT-S16-13</b>



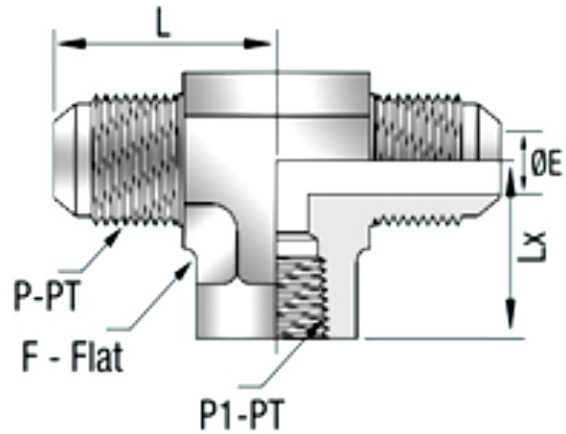
37° JIC X NPT (MALE) X 37° JIC(SAE 070424)



Tube OD (P-PT)		(P1-PT)	Dimensions				SS 316 PART No
inch	mm	NPT	L	E	F	Lx	
1/8	3	1/8	19.6	1.6	11.1	18.3	FMRT-37DX-NPTM-S16-1
3/16	4	1/8	21.1	3.2	11.1	18.3	FMRT-37DX-NPTM-S16-2
1/4	6	1/8	22.6	4.4	12.7	19.8	FMRT-37DX-NPTM-S16-3
1/4	6	1/4	26.9	4.4	14.3	27.7	FMRT-37DX-NPTM-S16-4
5/16	8	1/8	24.1	4.8	14.3	19.8	FMRT-37DX-NPTM-S16-5
5/16	8	1/4	26.9	6	14.3	27.7	FMRT-37DX-NPTM-S16-6
3/8	10	1/8	26.9	4.8	14.3	22.8	FMRT-37DX-NPTM-S16-7
3/8	10	1/4	26.9	7.1	14.3	27.7	FMRT-37DX-NPTM-S16-8
3/8	10	3/8	29	7.5	17.5	31	FMRT-37DX-NPTM-S16-9
3/8	10	1/2	31.2	7.5	20.6	37.3	FMRT-37DX-NPTM-S16-10
1/2	12	1/4	31.8	7.1	20.6	31	FMRT-37DX-NPTM-S16-11
1/2	12	3/8	31.8	9.9	20.6	31	FMRT-37DX-NPTM-S16-12
1/2	12	1/2	33.7	9.9	20.6	37.3	FMRT-37DX-NPTM-S16-13
1/2	12	1/4	36	9	25.4	40.4	FMRT-37DX-NPTM-S16-14
5/8	16	3/8	36.8	9.9	20.6	33	FMRT-37DX-NPTM-S16-15
5/8	16	1/2	36.8	12.3	20.6	37.3	FMRT-37DX-NPTM-S16-16
5/8	16	3/4	38.9	12.3	25.4	40.4	FMRT-37DX-NPTM-S16-17
3/4	18	3/4	42.2	15.5	27	40.4	FMRT-37DX-NPTM-S16-18
3/4	18	1	42.2	15.5	31.8	50.4	FMRT-37DX-NPTM-S16-19
7/8	22	3/4	45.7	18.3	31.8	42.9	FMRT-37DX-NPTM-S16-20
1	25	3/4	46	18.3	34.9	45.2	FMRT-37DX-NPTM-S16-21
1	25	1	46	21.5	34.9	50	FMRT-37DX-NPTM-S16-22
1 1/4	32	1	52.3	23.8	42.9	59.6	FMRT-37DX-NPTM-S16-23
1 1/4	32	1 1/4	52.3	27.5	42.9	60.5	FMRT-37DX-NPTM-S16-24
1 1/2	38	1 1/2	59.2	33	50.8	67.1	FMRT-37DX-NPTM-S16-25
2	50	2	77.7	45	63.5	76.2	FMRT-37DX-NPTM-S16-26



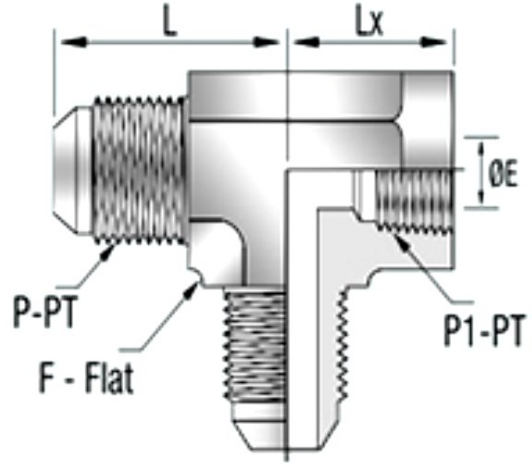
37° JIC X 37° JIC X NPT (FEMALE)(SAE 070427)



Tube OD (P-PT)		(P1-PT)	Dimensions				SS 316 PART No
inch	mm	NPT	L	E	F	Lx	
1/8	3	1/8	25.4	1.6	14.3	16.8	<b>FFBT-37DX-NPTF-S16-1</b>
3/16	4	1/8	26.2	3.2	14.3	16.8	<b>FFBT-37DX-NPTF-S16-2</b>
1/4	6	1/8	27.4	4.4	14.3	16.8	<b>FFBT-37DX-NPTF-S16-3</b>
1/4	6	1/4	30.9	4.4	20.6	22.4	<b>FFBT-37DX-NPTF-S16-4</b>
5/16	8	1/8	27.4	6	14.3	16.8	<b>FFBT-37DX-NPTF-S16-5</b>
5/16	8	1/4	30.9	6	20.6	22.4	<b>FFBT-37DX-NPTF-S16-6</b>
3/8	10	1/8	26.9	7.5	15.9	16.8	<b>FFBT-37DX-NPTF-S16-7</b>
3/8	10	1/4	31.2	7.5	20.6	22.4	<b>FFBT-37DX-NPTF-S16-8</b>
3/8	10	3/8	33.2	7.5	23.8	25.9	<b>FFBT-37DX-NPTF-S16-9</b>
1/2	12	1/4	31.6	9.9	20.6	22.4	<b>FFBT-37DX-NPTF-S16-10</b>
1/2	12	3/8	36.1	9.9	23.8	25.9	<b>FFBT-37DX-NPTF-S16-11</b>
1/2	12	1/2	36.1	9.9	27	31.2	<b>FFBT-37DX-NPTF-S16-12</b>
5/8	16	1/2	41.7	12.3	27	31.2	<b>FFBT-37DX-NPTF-S16-13</b>
3/4	18	1/2	42.1	15.5	31.8	31.2	<b>FFBT-37DX-NPTF-S16-14</b>
3/4	18	3/4	48	15.5	34.9	34.5	<b>FFBT-37DX-NPTF-S16-15</b>
7/8	22	3/4	47.2	18.3	34.9	36.1	<b>FFBT-37DX-NPTF-S16-16</b>
1	25	1	55.1	21.5	42.9	41.1	<b>FFBT-37DX-NPTF-S16-17</b>
1 1/4	32	1 1/4	59.2	27.5	50.8	43.2	<b>FFBT-37DX-NPTF-S16-18</b>
1 1/2	38	1 1/2	73.4	33	63.5	52.8	<b>FFBT-37DX-NPTF-S16-19</b>
2	50	2	83.8	45	63.5	60.7	<b>FFBT-37DX-NPTF-S16-20</b>



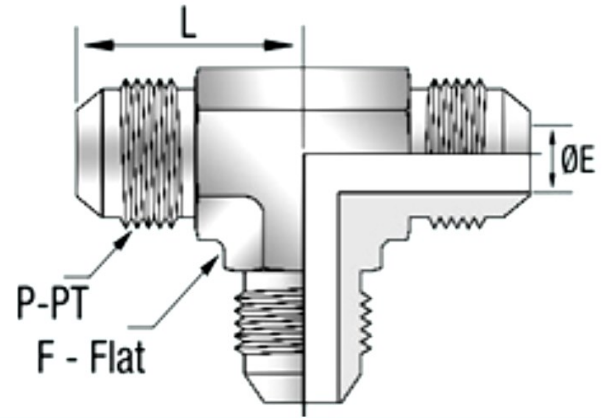
37° JIC X NPT (FEMALE) X 37° JIC(SAE 070426)



Tube OD (P-PT)		(P1-PT)	Dimensions				SS 316 PART No
inch	mm	NPT	L	E	F	Lx	
1/8	3	1/8	25.4	1.6	14.3	16.8	FFRT-37DX-NPTF-S16-1
3/16	4	1/8	26.2	3.2	14.3	16.8	FFRT-37DX-NPTF-S16-2
1/4	6	1/8	27.4	4.4	14.3	16.8	FFRT-37DX-NPTF-S16-3
1/4	6	1/4	30.9	4.4	20.6	22.4	FFRT-37DX-NPTF-S16-4
5/16	8	1/8	27.4	6	14.3	16.8	FFRT-37DX-NPTF-S16-5
5/16	8	1/4	30.9	6	20.6	22.4	FFRT-37DX-NPTF-S16-6
3/8	10	1/8	26.9	7.5	15.9	16.8	FFRT-37DX-NPTF-S16-7
3/8	10	1/4	31.2	7.5	20.6	22.4	FFRT-37DX-NPTF-S16-8
3/8	10	3/8	33.2	7.5	23.8	25.9	FFRT-37DX-NPTF-S16-9
1/2	12	1/4	31.6	9.9	20.6	22.4	FFRT-37DX-NPTF-S16-10
1/2	12	3/8	36.1	9.9	23.8	25.9	FFRT-37DX-NPTF-S16-11
1/2	12	1/2	36.1	9.9	27	31.2	FFRT-37DX-NPTF-S16-12
5/8	16	1/2	41.7	12.3	27	31.2	FFRT-37DX-NPTF-S16-13
3/4	18	1/2	42.1	15.5	31.8	31.2	FFRT-37DX-NPTF-S16-14
3/4	18	3/4	48	15.5	34.9	34.5	FFRT-37DX-NPTF-S16-15
7/8	22	3/4	47.2	18.3	34.9	36.1	FFRT-37DX-NPTF-S16-16
1	25	1	55.1	21.5	42.9	41.1	FFRT-37DX-NPTF-S16-17
1 1/4	32	1 1/4	59.2	27.5	50.8	43.2	FFRT-37DX-NPTF-S16-18
1 1/2	38	1 1/2	73.4	33	63.5	52.8	FFRT-37DX-NPTF-S16-19
2	50	2	83.8	45	63.5	60.7	FFRT-37DX-NPTF-S16-20



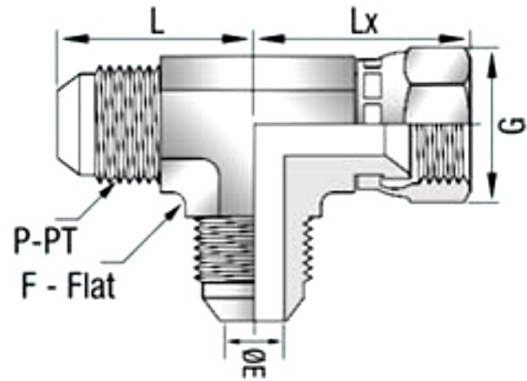
37° JIC(SAE 070401)



Tube OD (P-PT)		Dimensions			SS 316 PART No
inch	mm	L	E	F	
1/8	3	19.6	1.6	11.1	FUT-37D-S16-1
3/16	4	21.1	3.2	11.1	FUT-37D-S16-2
1/4	6	22.6	4.4	12.7	FUT-37D-S16-3
5/16	8	24.1	6	14.3	FUT-37D-S16-4
3/8	10	26.9	7.5	15.9	FUT-37D-S16-5
1/2	12	31.8	9.9	20.6	FUT-37D-S16-6
5/8	16	36.8	12.3	23.8	FUT-37D-S16-7
3/4	18	42.2	15.5	28.6	FUT-37D-S16-8
7/8	22	45.7	18	31.8	FUT-37D-S16-9
1	25	46	21.5	34.9	FUT-37D-S16-10
1 1/4	32	52.3	27.5	42.9	FUT-37D-S16-11
1 1/2	38	59.2	33	50.8	FUT-37D-S16-12
2	50	77.7	45	63.5	FUT-37D-S16-13



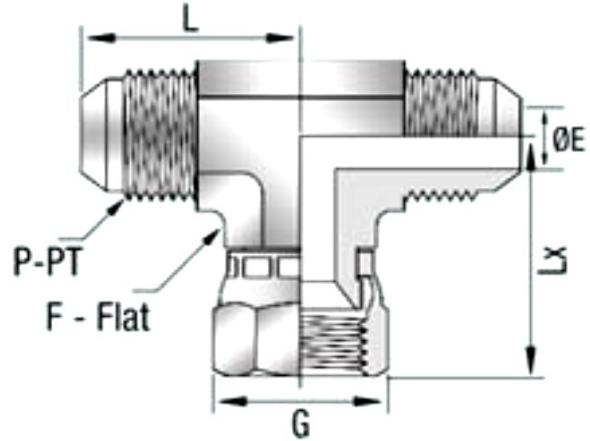
37° JIC X 37° JIC (FEMALE SWIVEL) X 37° JIC(SAE 070432)



Tube OD (P-PT)		Dimensions					SS 316 PART No
inch	mm	L	E	F	Lx	G	
1/8	3	19.6	1.6	11.1	24.6	11.1	<b>FSRT-37DXFX-S16-1</b>
3/16	4	21.1	3.2	11.1	25.4	12.7	<b>FSRT-37DXFX-S16-2</b>
1/4	6	22.6	4.4	12.7	25.4	14.3	<b>FSRT-37DXFX-S16-3</b>
5/16	8	24.1	6	14.3	26.9	15.9	<b>FSRT-37DXFX-S16-4</b>
3/8	10	26.9	7.5	15.9	31.8	17.5	<b>FSRT-37DXFX-S16-5</b>
1/2	12	31.8	9.9	20.6	35.1	22.2	<b>FSRT-37DXFX-S16-6</b>
5/8	16	36.8	12.3	23.8	41.1	25.4	<b>FSRT-37DXFX-S16-7</b>
3/4	18	42.2	15.5	27	44.4	31.8	<b>FSRT-37DXFX-S16-8</b>
7/8	22	45.7	18.3	31.8	45.2	34.9	<b>FSRT-37DXFX-S16-9</b>
1	25	46	21.5	34.9	50.8	38.1	<b>FSRT-37DXFX-S16-10</b>
1.25	32	52.3	27.5	42.9	58.7	50.8	<b>FSRT-37DXFX-S16-11</b>
1.5	38	59.2	33	50.8	65.8	60.3	<b>FSRT-37DXFX-S16-12</b>
2	50	77.7	45	63.5	85.9	73	<b>FSRT-37DXFX-S16-13</b>



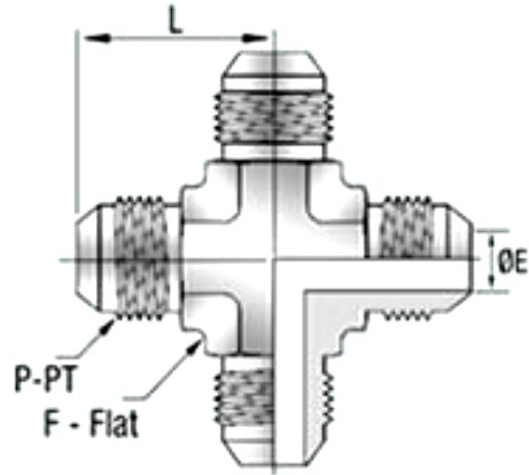
37° JIC X 37° JIC X 37° JIC (FEMALE SWIVEL)(SAE 070433)



Tube OD (P-PT)		Dimensions					SS 316 PART No
inch	mm	L	E	F	Lx	G	
1/8	3	19.6	1.6	11.1	24.6	11.1	<b>FSBT-37DXXF-S16-1</b>
3/16	4	21.1	3.2	11.1	25.4	12.7	<b>FSBT-37DXXF-S16-2</b>
1/4	6	22.6	4.4	12.7	25.4	14.3	<b>FSBT-37DXXF-S16-3</b>
5/16	8	24.1	6	14.3	26.9	15.9	<b>FSBT-37DXXF-S16-4</b>
3/8	10	26.9	7.5	15.9	31.8	17.5	<b>FSBT-37DXXF-S16-5</b>
1/2	12	31.8	9.9	20.6	35.1	22.2	<b>FSBT-37DXXF-S16-6</b>
5/8	16	36.8	12.3	23.8	41.1	25.4	<b>FSBT-37DXXF-S16-7</b>
3/4	18	42.2	15.5	27	44.4	31.8	<b>FSBT-37DXXF-S16-8</b>
7/8	22	45.7	18.3	31.8	45.2	34.9	<b>FSBT-37DXXF-S16-9</b>
1	25	46	21.5	34.9	50.8	38.1	<b>FSBT-37DXXF-S16-10</b>
1 1/4	32	52.3	27.5	42.9	58.7	50.8	<b>FSBT-37DXXF-S16-11</b>
1 1/2	38	59.2	33	50.8	65.8	60.3	<b>FSBT-37DXXF-S16-12</b>
2	50	77.7	45	63.5	85.9	73	<b>FSBT-37DXXF-S16-13</b>



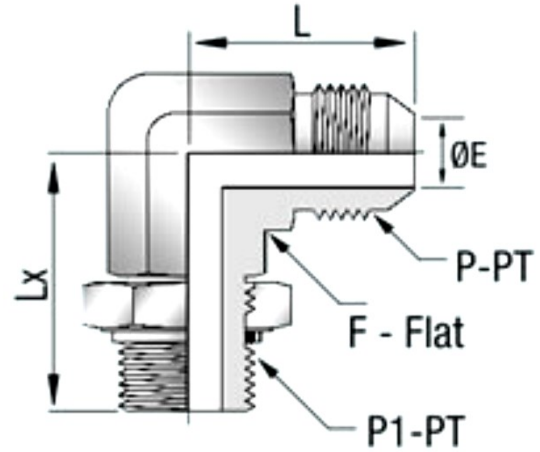
37° JIC(SAE 070501)



Tube OD (P-PT) Flare		Dimensions			SS 316 PART No
inch	mm	L	E	F	
1/8	3	19.6	1.6	11.1	<b>FUC-37D-S16-1</b>
3/16	4	21.1	3.2	11.1	<b>FUC-37D-S16-2</b>
1/4	6	22.6	4.4	12.7	<b>FUC-37D-S16-3</b>
5/16	8	24.1	6	14.3	<b>FUC-37D-S16-4</b>
3/8	10	26.9	7.5	14.3	<b>FUC-37D-S16-5</b>
1/2	12	31.8	9.9	20.6	<b>FUC-37D-S16-6</b>
5/8	16	36.8	12.3	20.6	<b>FUC-37D-S16-7</b>
3/4	18	42.2	15.5	27	<b>FUC-37D-S16-8</b>
7/8	22	45.7	18.3	31.8	<b>FUC-37D-S16-9</b>
1	25	46	21.5	34.9	<b>FUC-37D-S16-10</b>
1.25	32	52.3	27.5	42.9	<b>FUC-37D-S16-11</b>
1.5	38	59.2	33	50.8	<b>FUC-37D-S16-12</b>
2	50	77.7	45	63.5	<b>FUC-37D-S16-13</b>



37° JIC X SAE / MS(SAE 070220)



Tube OD (P-PT)		(P1-PT)	Dimensions					SS 316 PART No
inch	mm	SAE/MS	L	E	F	Lx	B	
1/8	3	5/16-24	19.6	1.6	11.1	23.9	8.4	FAME-37D-SAE-S16-1
3/16	4	3/8-24	21.1	3.2	11.1	23.9	8.4	FAME-37D-SAE-S16-2
1/4	6	7/16-20	22.6	4.4	12.7	26.2	9.8	FAME-37D-SAE-S16-3
5/16	8	1/2-20	24.1	6	14.3	28.7	9.8	FAME-37D-SAE-S16-4
3/8	10	9/16-18	26.9	7.5	15.9	31.8	11	FAME-37D-SAE-S16-5
1/2	12	3/4-16	31.8	9.9	20.6	36.8	12.5	FAME-37D-SAE-S16-6
5/8	16	7/8-14	36.8	12.3	23.8	43.2	14.2	FAME-37D-SAE-S16-7
3/4	18	1 1/16-12	42.2	15.5	31.8	49.3	16.5	FAME-37D-SAE-S16-8
7/8	22	1 3/16-12	45.7	18.3	31.8	50.8	16.5	FAME-37D-SAE-S16-9
1	25	1 5/16-12	46	21.5	34.9	52.1	16.5	FAME-37D-SAE-S16-10
1 1/4	32	1 5/8-12	52.3	27.5	42.9	57.2	16.5	FAME-37D-SAE-S16-11
1 1/2	38	1 7/8-12	59.2	33	50.8	60.7	16.5	FAME-37D-SAE-S16-12
2	50	2 1/2-12	77.7	45	63.5	73.4	16.5	FAME-37D-SAE-S16-13